

## HOMWORK SET 2

**DUE DATE: 2/4/16**

**TEXTBOOK PROBLEMS:**

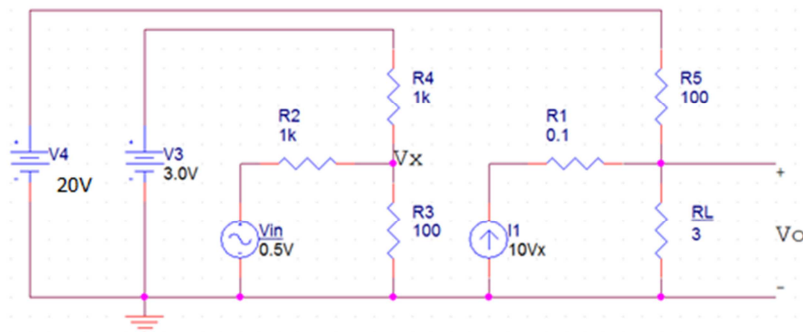
3.61, 3.70, 3.87

4.5, 4.14, 4.38, 4.51, 4.67, 4.72, 4.96

**SUPPLEMENTAL QUESTION:**

1. Consider the small signal equivalent model of each amplifier shown below. Determine the following:
  - a. Voltage Gain
  - b. Power Gain
  - c. Input Resistance
  - d. Output Resistance
  - e. The power delivered to " $R_L$ "

**AMPLIFIER 1: Common Source**



**AMPLIFIER 2: Common Source with Negative Feedback**

